



VS4

**Introduction:**

The SC Series programmable wall controls are designed to remotely control our SC Series digital processors. program VS4 controls functionality using easy to use drag & drop software from within the processors SCcom software. Connection to the processor is via Ethernet cable. Power VS4 controls with the included external power supply or over the Ethernet cable using a POE router or switch (recommended). SC-VS4 Series wall control models have an aluminum front panel, are available mount into a 2-gang size back box.

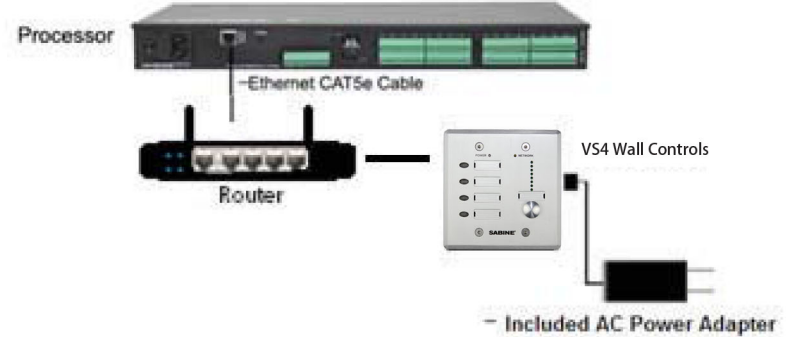
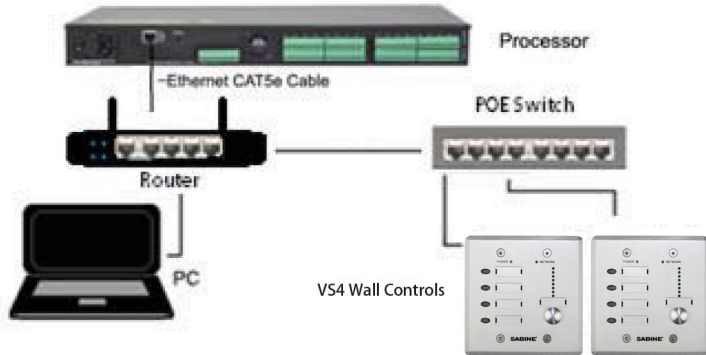
**Description:**

VS4

Four programmable, selectable On/Off push buttons plus One independent, programmable Level control on a 2-gang size aluminum panel with power and network status LED's, volume level LED ladder, and label slots w plastic covers. External power supply included (or power over the Ethernet cable using a POE router or switch).



- 1. Power status LED
- 2. Network status LED
- 3. On/off button
- 4. Label slot w plastic cover
- 5. Level control
- 6. Level indicator LED's



Rear of VS4 Wall Control.



- 1. Ethernet connector.
- 2. Power supply connector (when using external power supply only).
- 3. IP Reset switch (reset network settings).
- 4. USB - Not used

Specifications

Front Panel

- Status Indicators
- On/Off Select Buttons
- Label Slots
- Label Slot Plastic Covers
- Level Control
- Level Indicator
- Front Panel Material

- Power and Network LEDs
- 4 or 8 Illuminated.
- 1, 4, or 8
- 1, 4, or 8
- 1
- LED Ladder.
- Aluminum

Rear Panel

- Ethernet Connector
- External Power
- IP Reset Switch
- Recommended Power Method

- RJ45
- 2 Pin Detachable Euro Connector
- Push button
- Power Over Ethernet (POE)

General

- Power
- Wall Mounting
- Dimensions
- Weight

- 5 Volts DC @ 1A Power Supply Included
- Fits a 2-Gang Back Box.
- 4.5" x4.5" (Front Panel)
- 2 lbs

Designed & Engineered in U.S.A

Note: Specifications subject to change