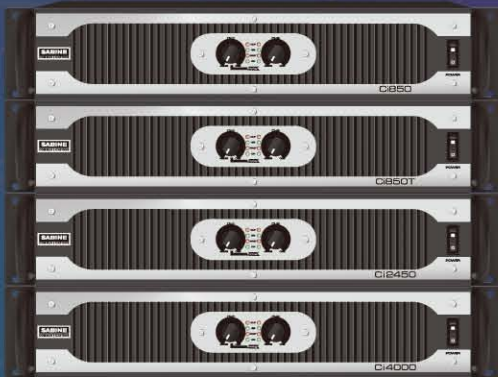


»»» Ci SERIES «««

Transformer Power Amplifier



Ci SERIES

The Ci series of power amplifiers from SABINE COMMUNICATIONS is the best entry level option for the small-to-mid power range sound reinforcement applications requiring maximum performance and good portability on a limited budget. Featuring a premium toroidal transformer power supply along with Class AB and Class H power modules the Ci power amplifiers provide an extremely wide frequency response with very good and dynamic sonic characteristics.

»»» Features

- Premium toroidal transformer power supply.
- Class AB(Ci850,Ci850T) and Class H(Ci2450,Ci4000) power modules.
- XLR input and signal link connectors.
- SpeakON NL4(Ci4000) and binding post output connectors.
- Routing mode selector on the back panel (stereo/bridge-parallel).
- Mains circuit breaker on the back panel(Ci4000).
- Channel independent protection and clip warning indicators on the front panel.
- Channel independent power and signal presence indicators on the front panel.

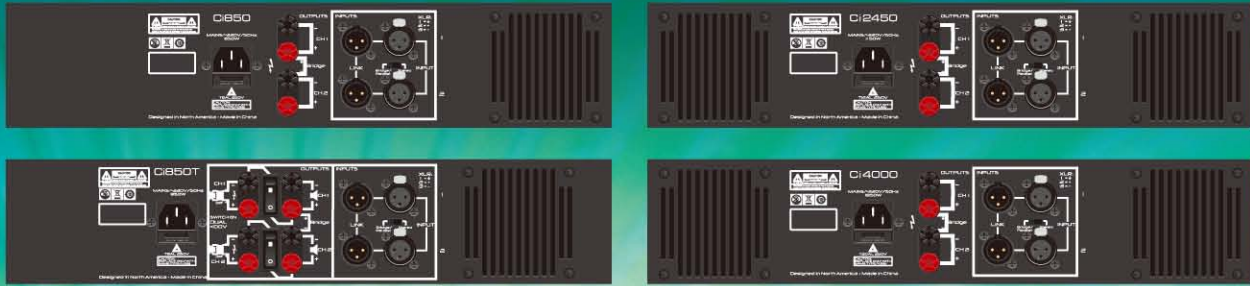
»»» Applications

- Mobile/portable/installation small output power sound reinforcement applications requiring a very good sounding.
- DJ sound system.
- Small to mid sized bar/cafe/lounge installation.

»»» Technology

Noiseless Cooling System

The Ci series feature an advanced cooling system designed to maintain the amplifier within a safe thermal level even on the hottest environments but generating an unnoticeable background noise. With the Noiseless Cooling Design even large amplifier stacks can be installed on noise sensitive areas without compromise on causing any disturbance.

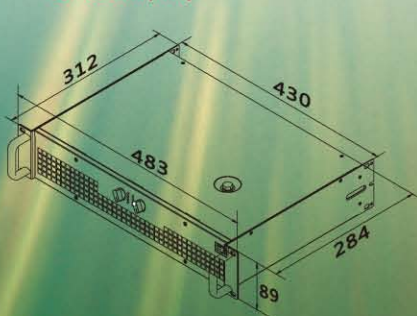


Ci series rear panel

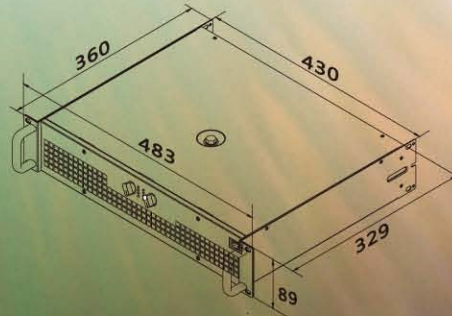
Specifications

Model	Ci850T	Ci850	Ci2450	Ci4000
Output power (AC 220v / 50Hz. ±10%, All channels driven output power, THD=1%)				
8Ω Stereo*	350W x2	350W x2	500W x2	850W x2
4Ω Stereo**	550W x2	550W x2	750W x2	1250W x2
8Ω Bridge**	1100W	1100W	1500W	2500W
100V 20Ω @1%THD	310W x2			
Other specification				
Frequency response	20Hz - 20kHz , +0/-0.5dB			
THD+N	< 0.05%	< 0.05%	< 0.05%	< 0.08%
S/N rate	≥ 96dB	≥ 96dB	≥ 96dB	≥ 96dB
Damping factor	> 300	> 300	> 200	> 200
Slew rate	> 12v/μs	> 12v/μs	> 15v/μs	> 15v/μs
Input sensitivity	0.775v			
Input impedance (bal/unbal)	20kΩ / 10kΩ			
Voltage gain	37dB	37dB	38.2dB	40.5dB
Cooling	Air flow from front to rear			
Dimension/Weight				
Product dimensions (mm)	483 x 350 x 89	483 x 350 x 89	483 x 398 x 89	483 x 451 x 89
Packing dimensions (mm)	600 x 465 x 175	600 x 465 x 175	600 x 515 x 175	600 x 570 x 175
Weight	21kg	15kg	18.5kg	24.5kg

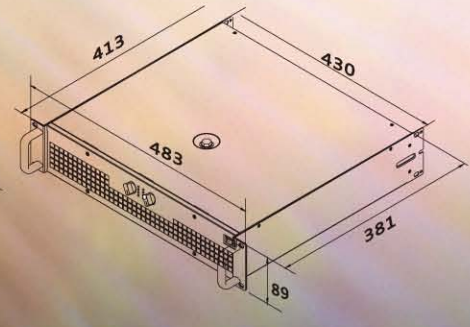
Dimension(mm)



Ci850T/Ci850



Ci2450



Ci4000

*Power tested under EIA standard. **Power tested under the condition of 40ms burst, 1KHz sine wave and 1% THD.

SABINE COMMUNICATIONS reserves the right to make any changes to the product specifications without prior notice. Final specifications to be found in the user manual.